



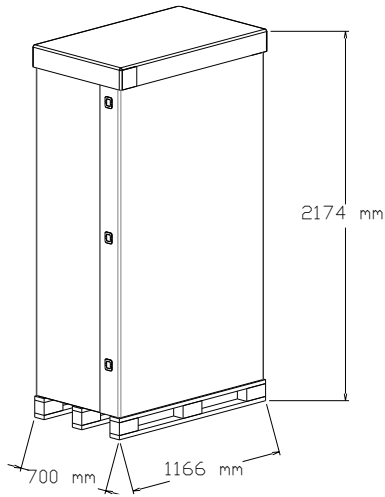
IMPORTANT SAFETY INSTRUCTIONS



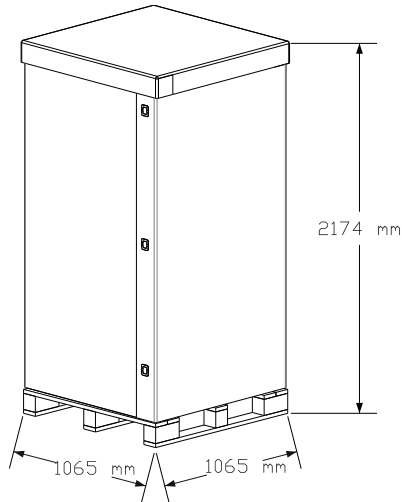
UNPACKING GUIDE

PACKAGING DIMENSIONS

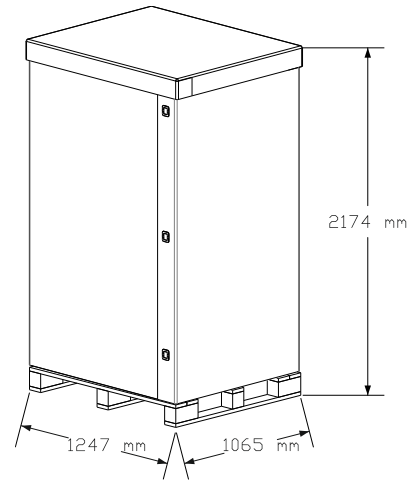
MP2 500 PCM / 600 PC0



MP2 600 PC0 VE



MP2 600 PCS VE



STORAGE CONDITION:

TEMPERATURE: - 25 °C ÷ 60 °C (- 13 °F ÷ 140 °F)
RELATIVE HUMIDITY: 30% ÷ 95% NON CONDENSING

0MNMP2M50NPENPB

MP2 500 PCM / 600 PC0

REMOVING THE CABINET FROM THE PALLET

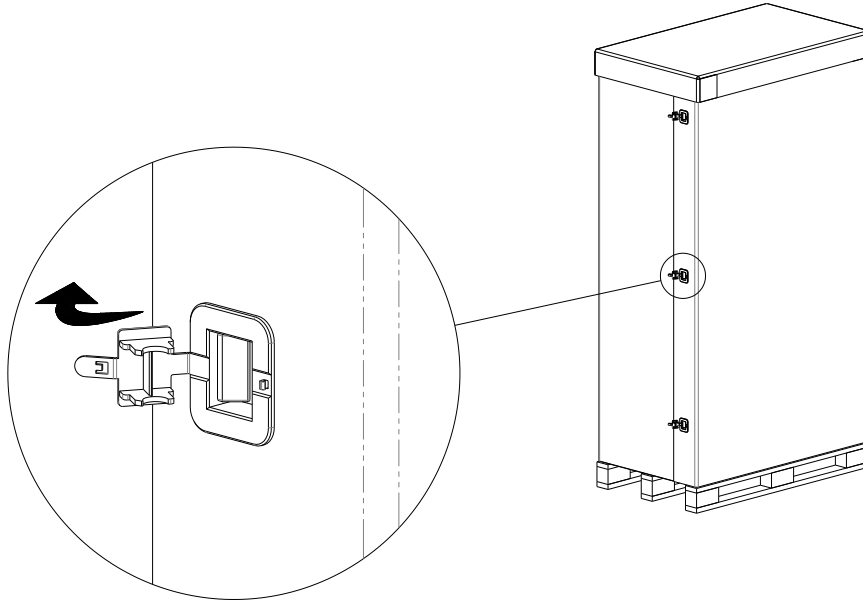


WARNING!
TO PREVENT HARM TO PERSONS AND / OR THE EQUIPMENT, FOLLOW THE INSTRUCTION BELOW.

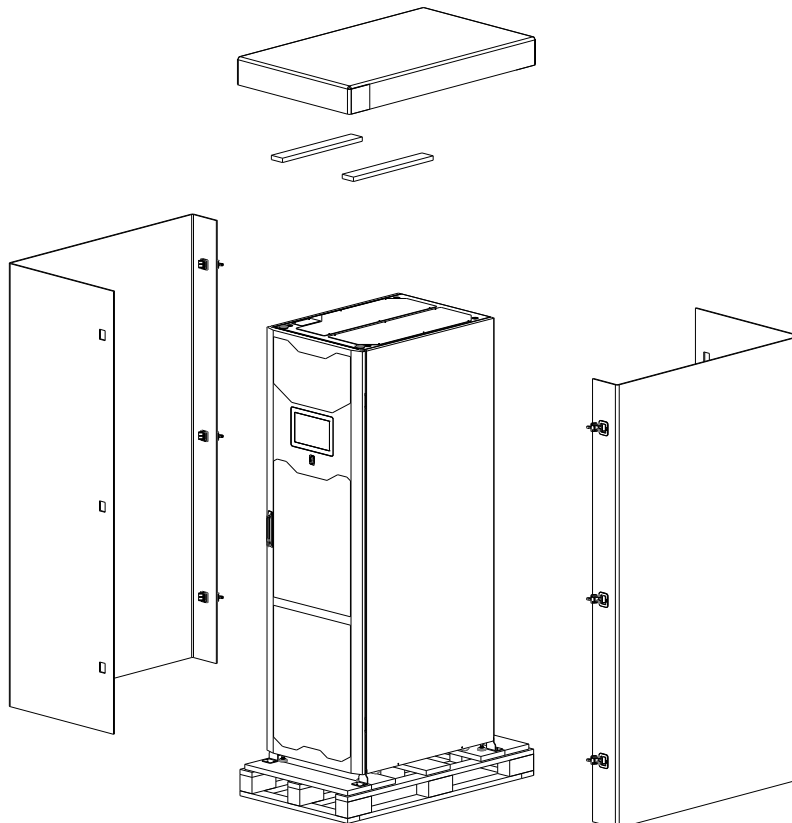


WARNING!
THE CABINET MUST BE UNPACKED ON A LEVEL FLOOR.
ENSURE THAT THE FLOOR CAN SUPPORT THE TOTAL WEIGHT OF THE SYSTEM.

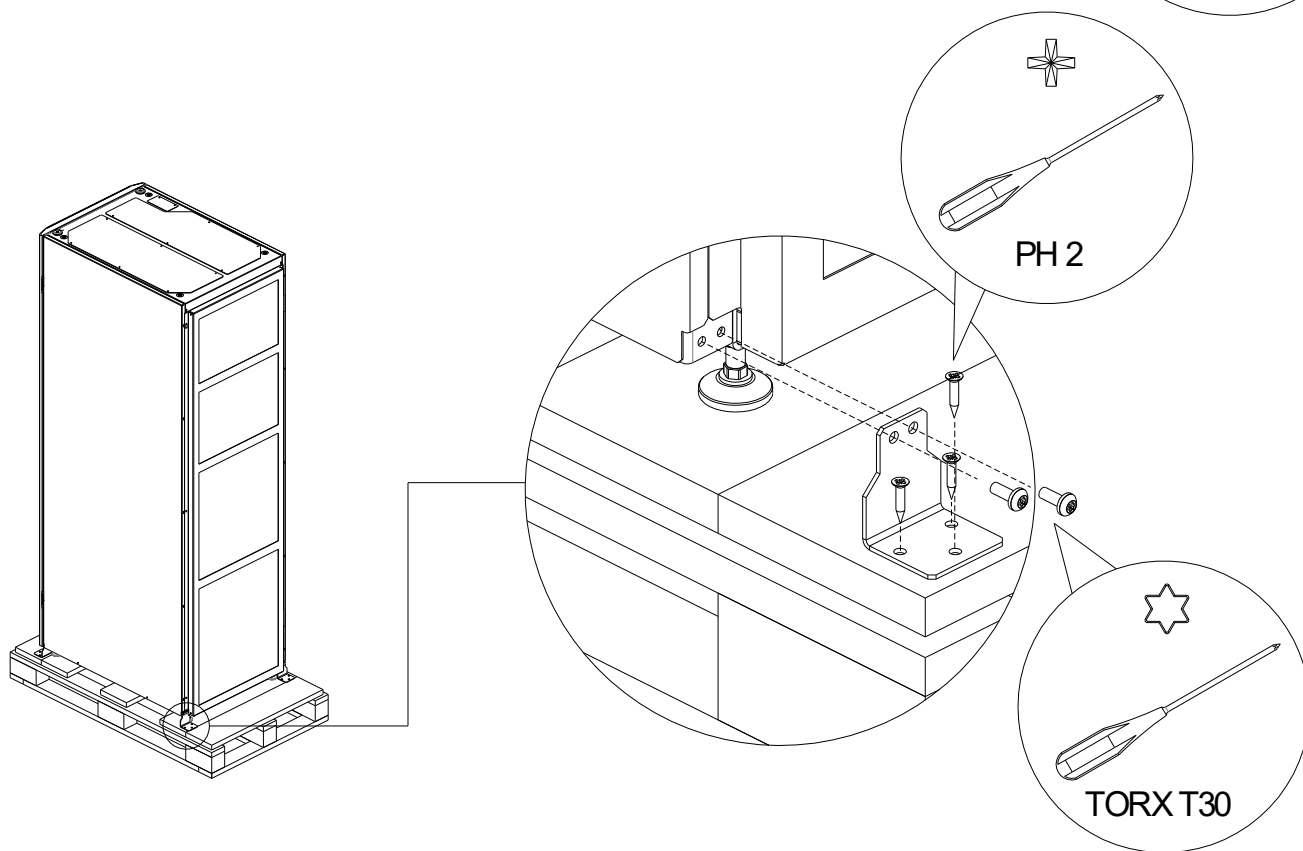
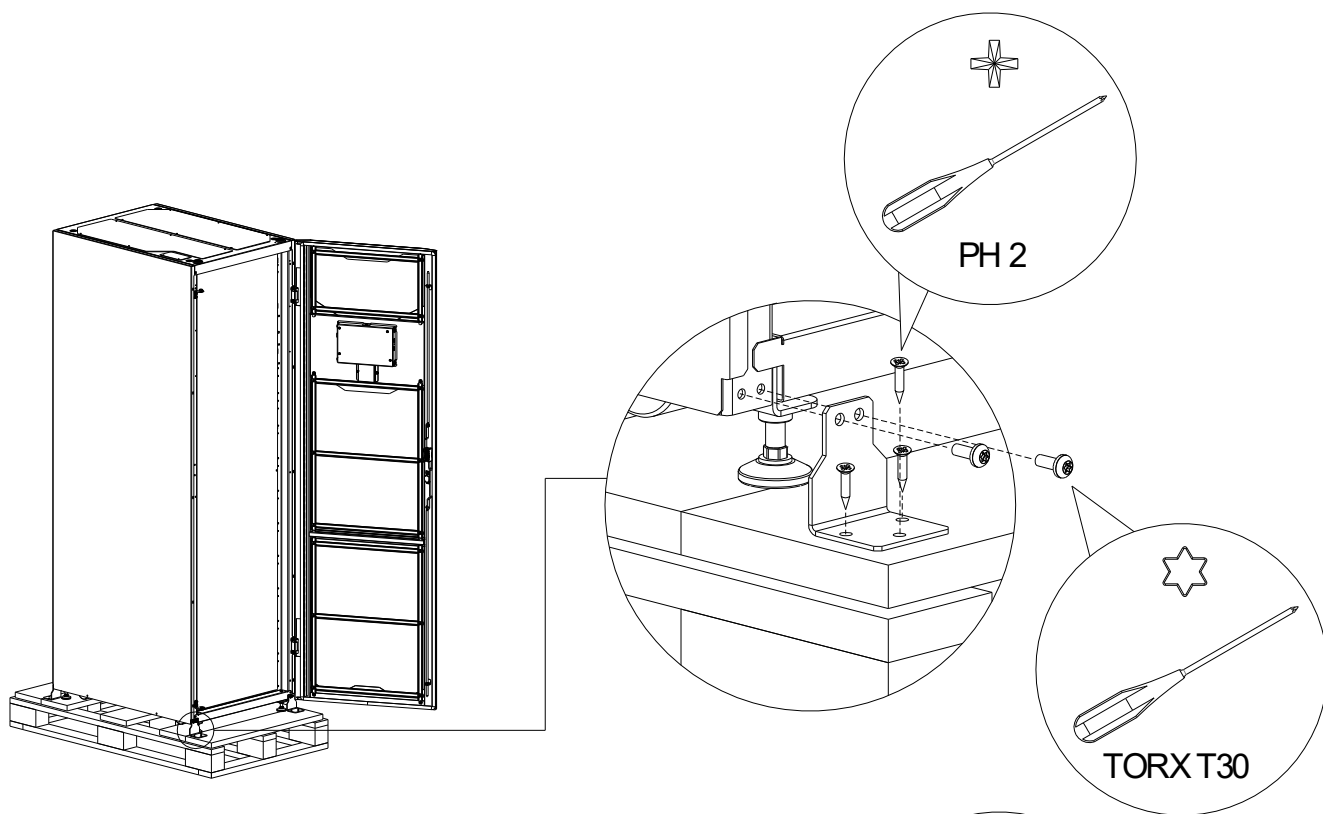
1. Unlock the closures on both sides.




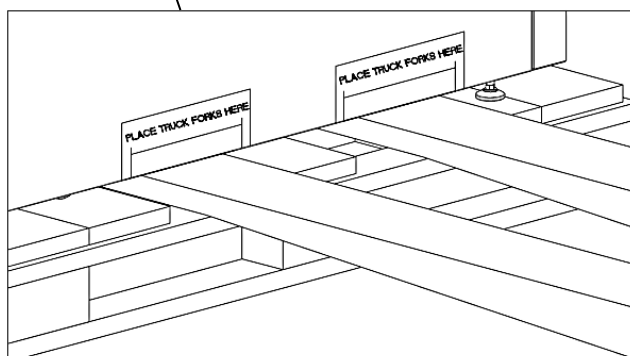
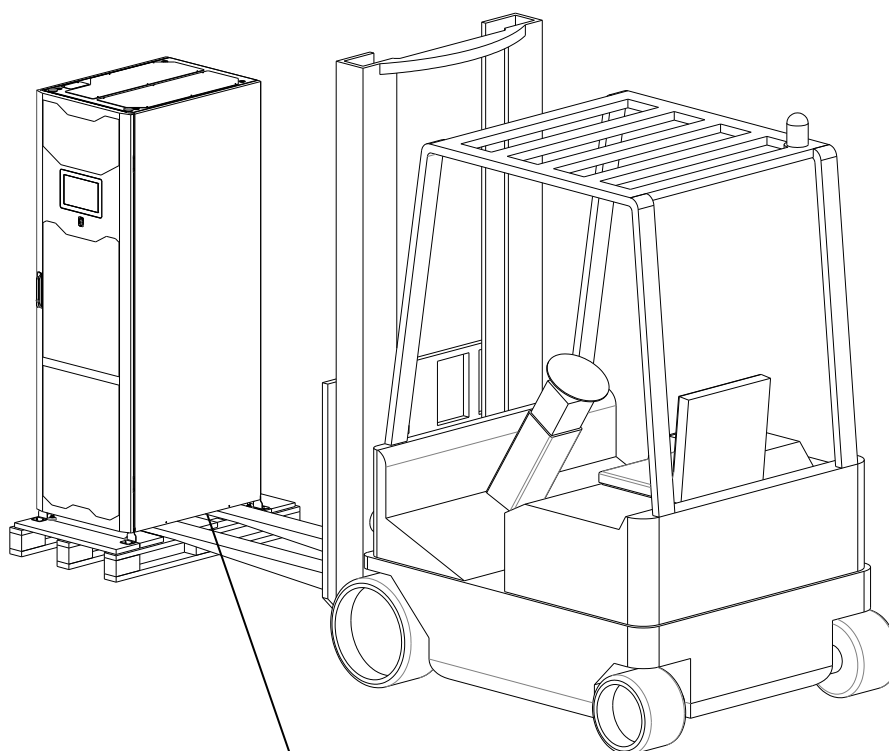
2. Remove the cardboard box and the plastic wrap



- 3.** Open the front door and remove the stabilizing bracket.
Note: the stabilizing brackets can be reused to fix the cabinet on the floor



4. : Insert the truck forks where indicated to unload the cabinet.



5. ATTENTION! For positioning and installation read the manuals inside the box.

MP2 600 PC0 VE

REMOVING THE CABINET FROM THE PALLET

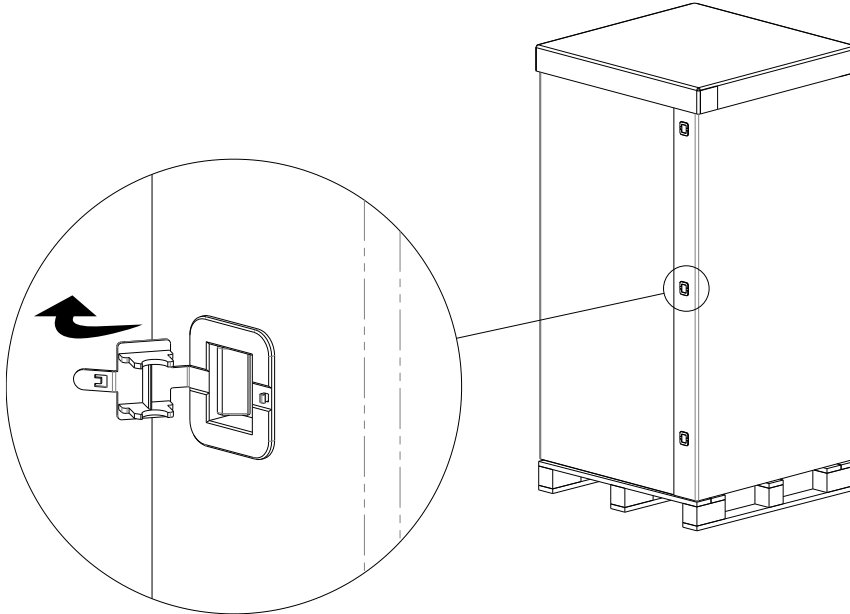


WARNING!
TO PREVENT HARM TO PERSONS AND / OR THE EQUIPMENT, FOLLOW THE INSTRUCTION BELOW.

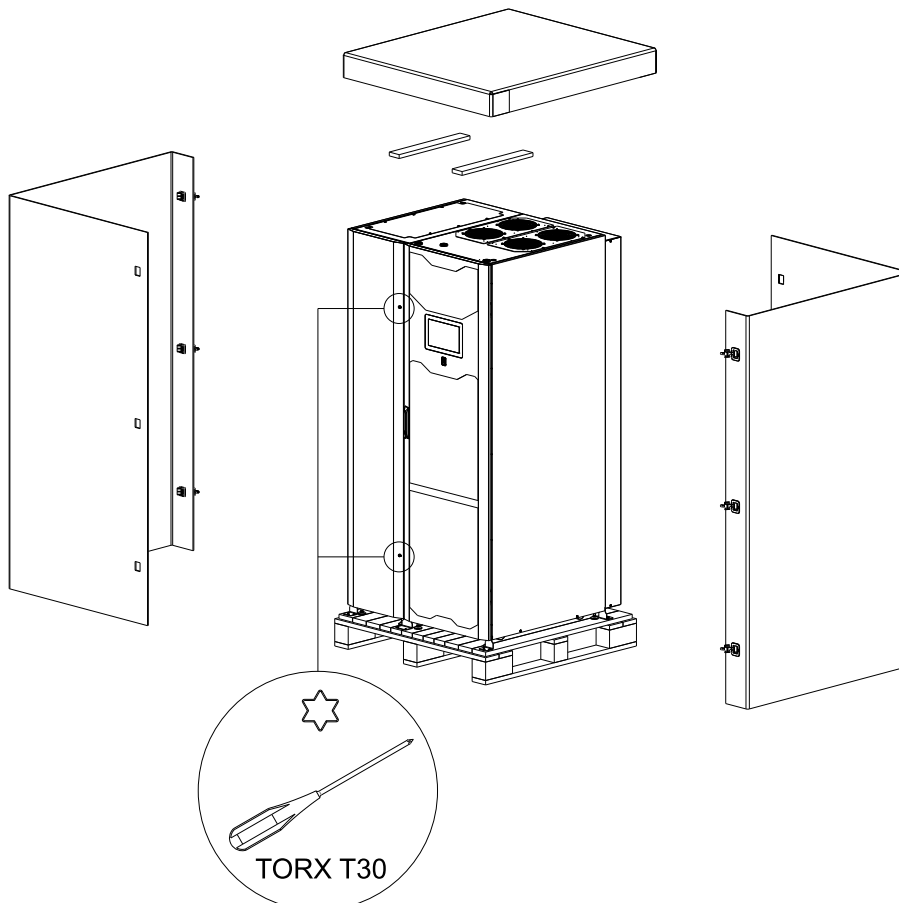


WARNING!
THE CABINET MUST BE UNPACKED ON A LEVEL FLOOR.
ENSURE THAT THE FLOOR CAN SUPPORT THE TOTAL WEIGHT OF THE SYSTEM.

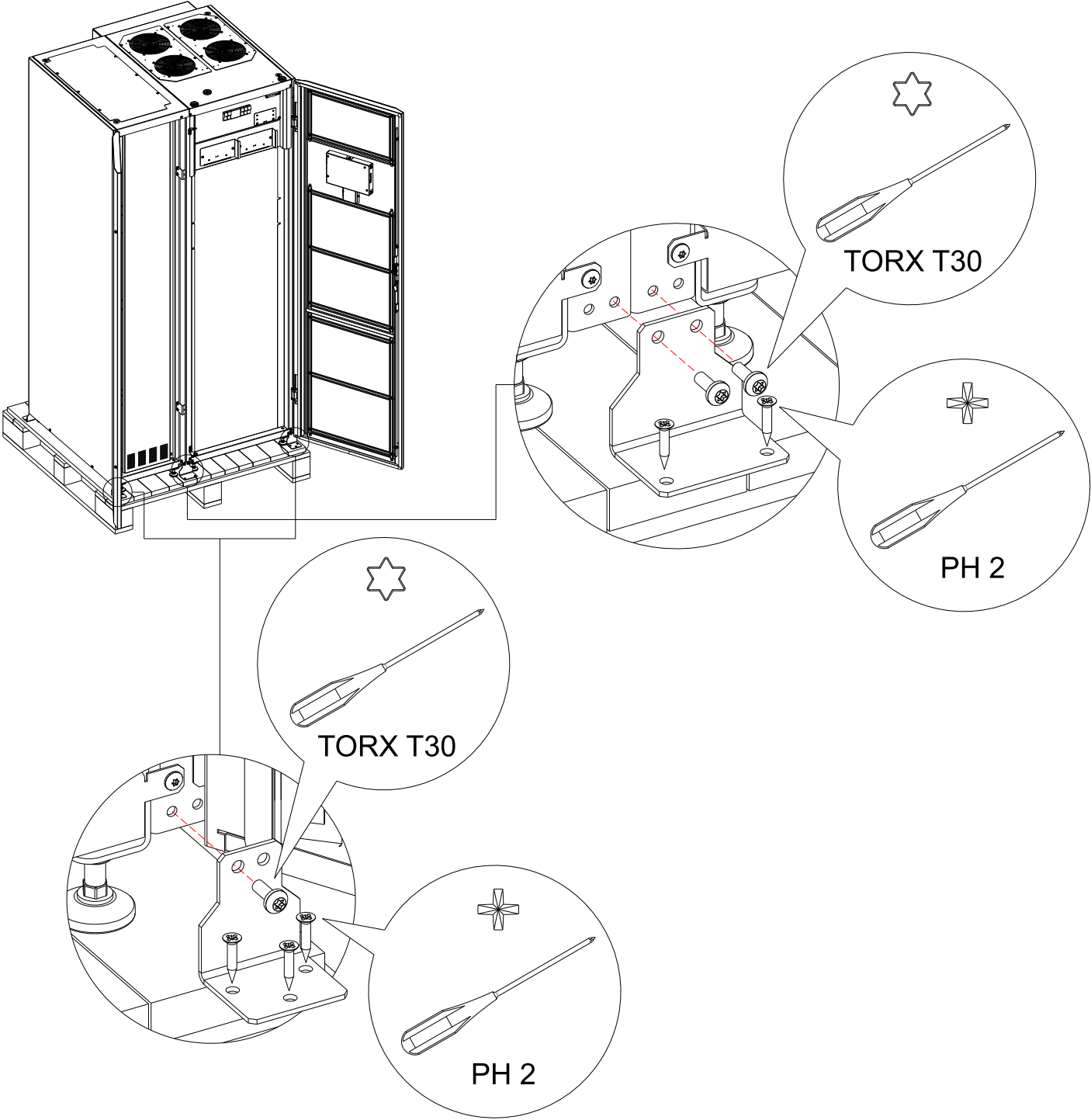
1. Unlock the closures on both sides.

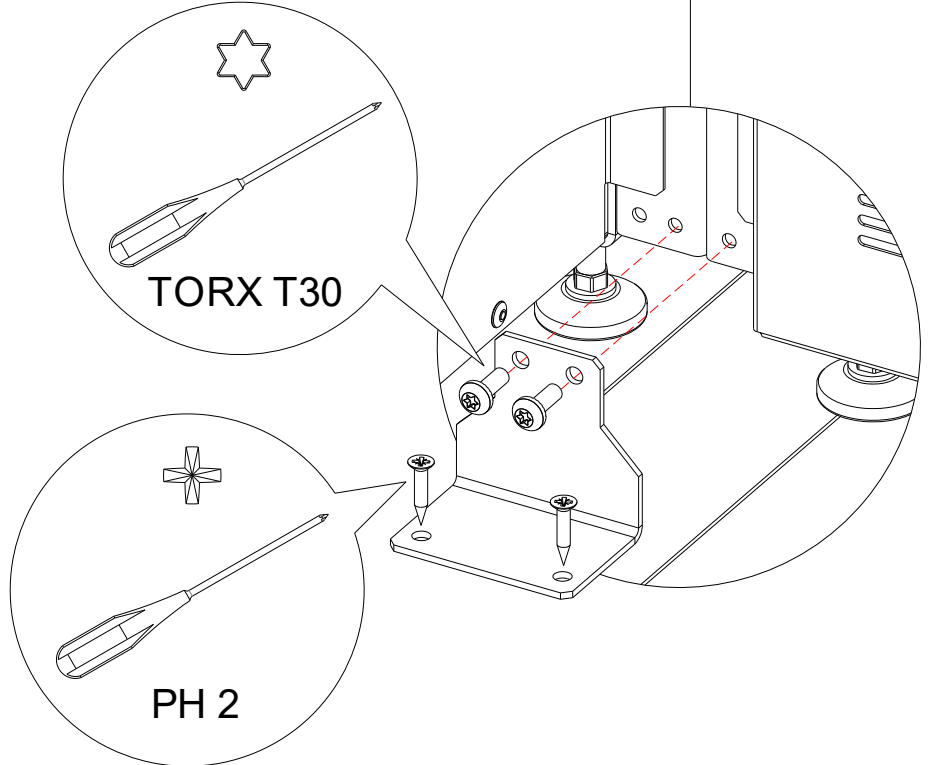
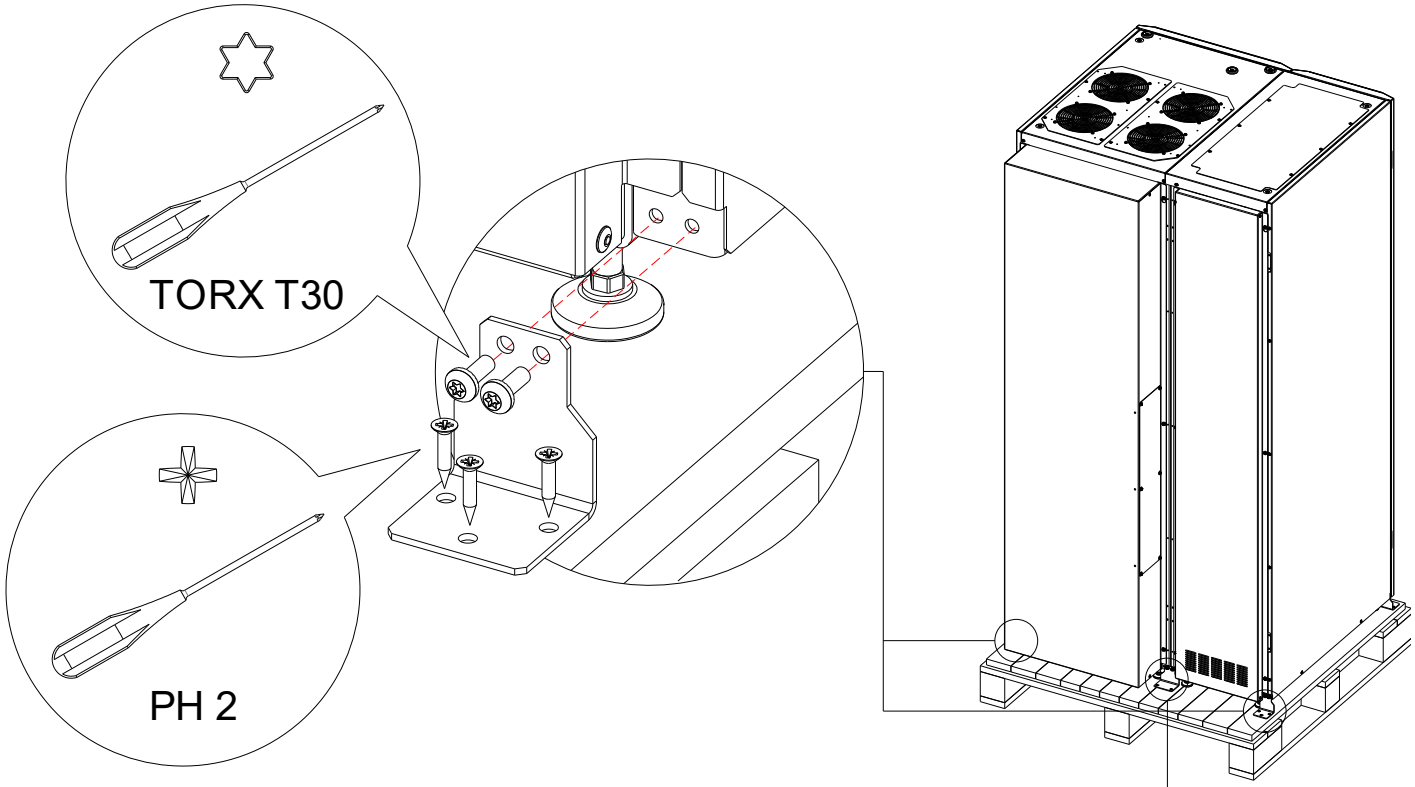



2. Remove the cardboard box, the plastic wrap and the screw on the Input/Output Connection Cabinet door and store them.

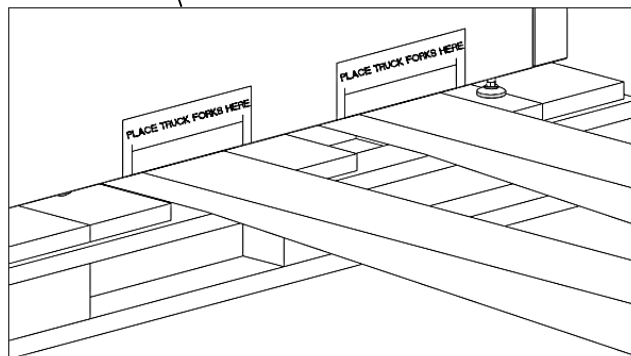
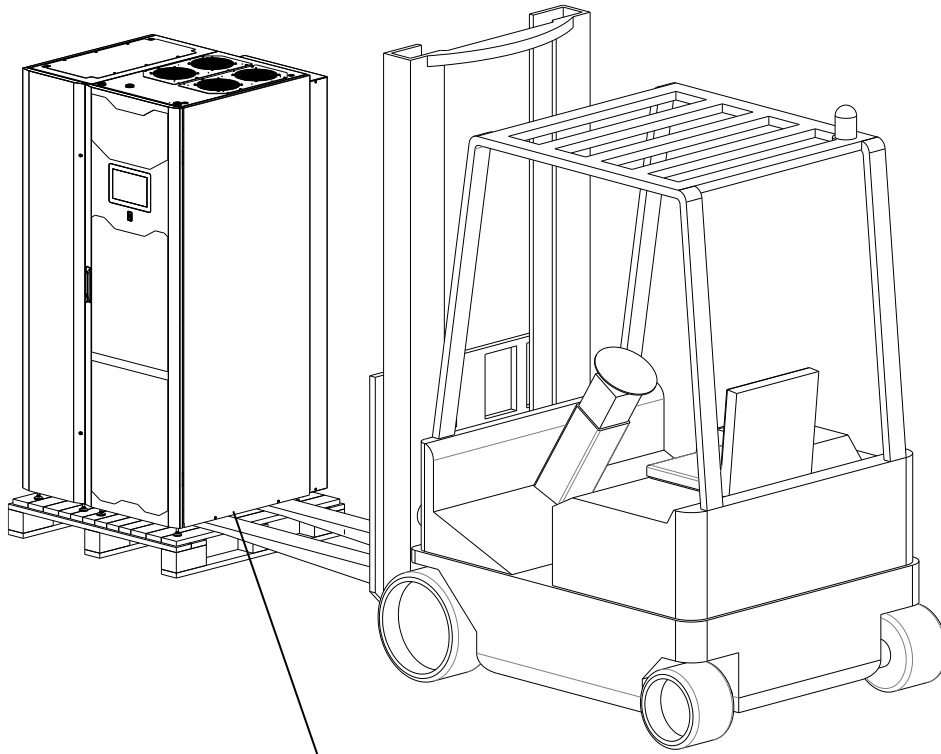


3. Open the front door and remove the stabilizing bracket.
Note: the stabilizing brackets can be reused to fix the cabinet on the floor





- 4.** : Insert the truck forks where indicated to unload the cabinet.



- 5. ATTENTION!** For positioning and installation read the manuals inside the box.

MP2 600 PCS VE

REMOVING THE CABINET FROM THE PALLET

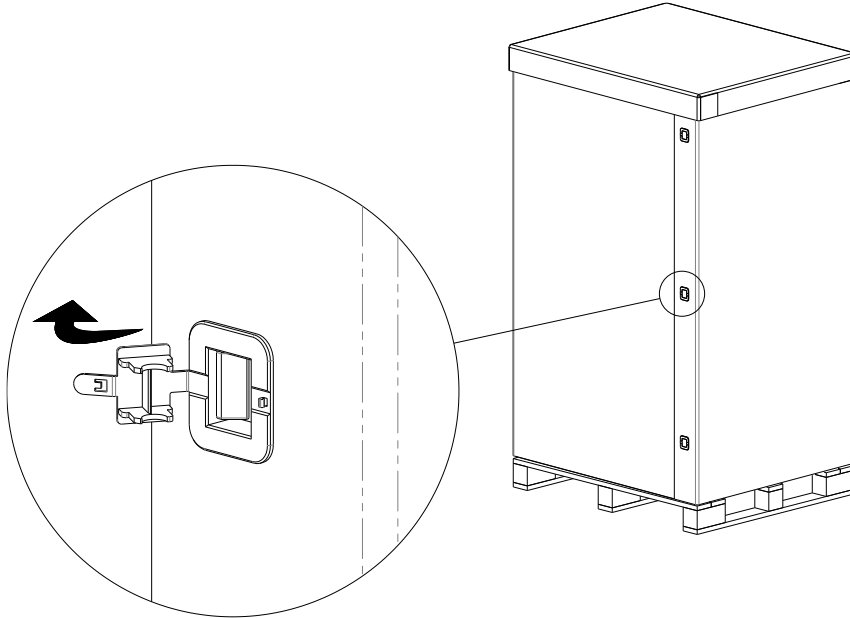


WARNING!
TO PREVENT HARM TO PERSONS AND / OR THE EQUIPMENT, FOLLOW THE INSTRUCTION BELOW.

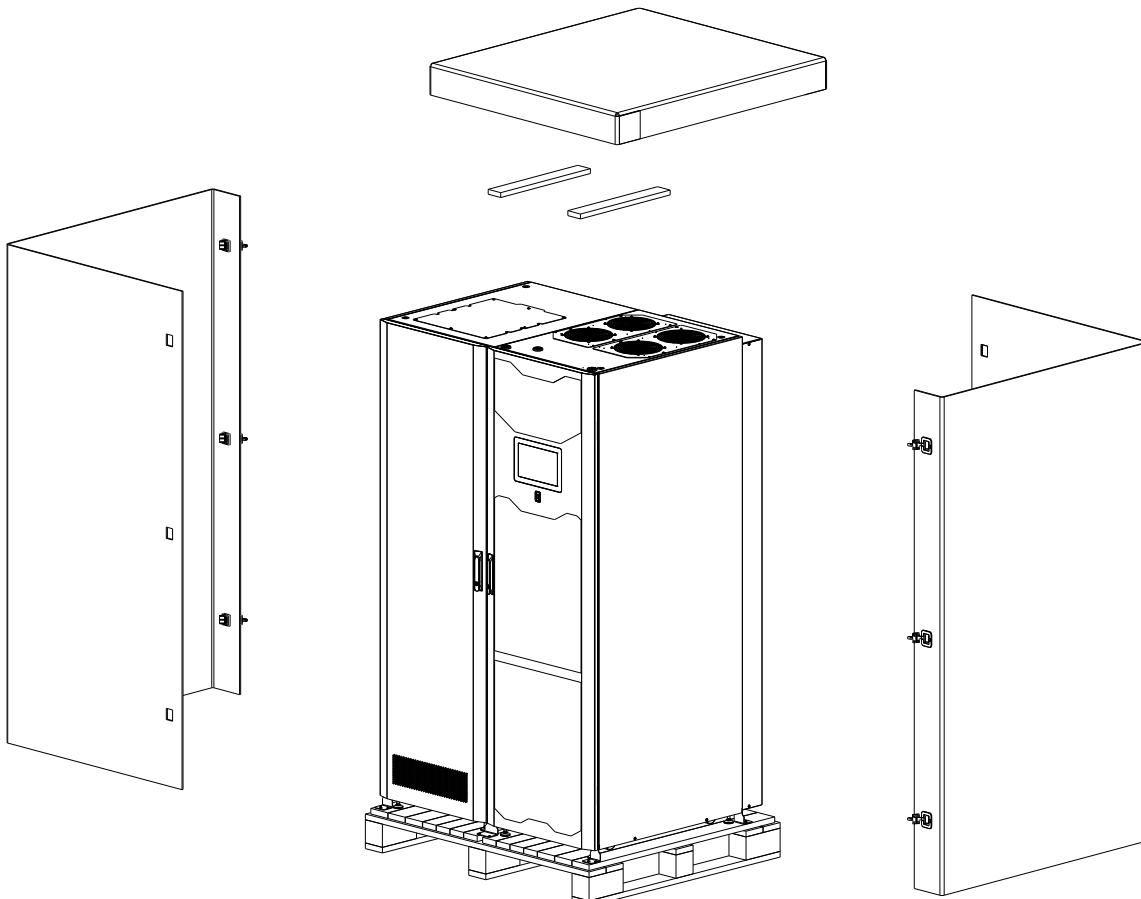


WARNING!
THE CABINET MUST BE UNPACKED ON A LEVEL FLOOR.
ENSURE THAT THE FLOOR CAN SUPPORT THE TOTAL WEIGHT OF THE SYSTEM.

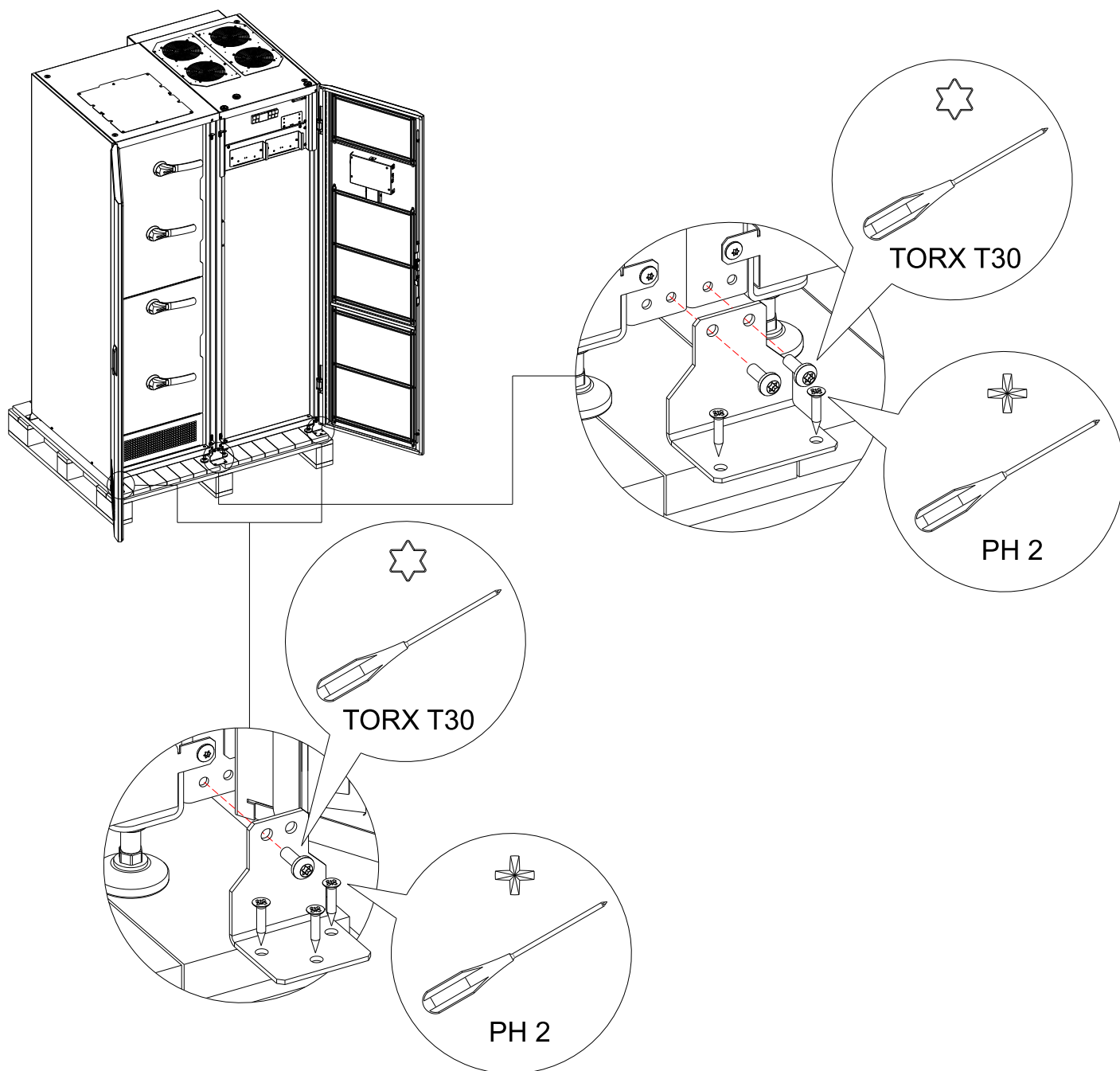
1. Unlock the closures on both sides.

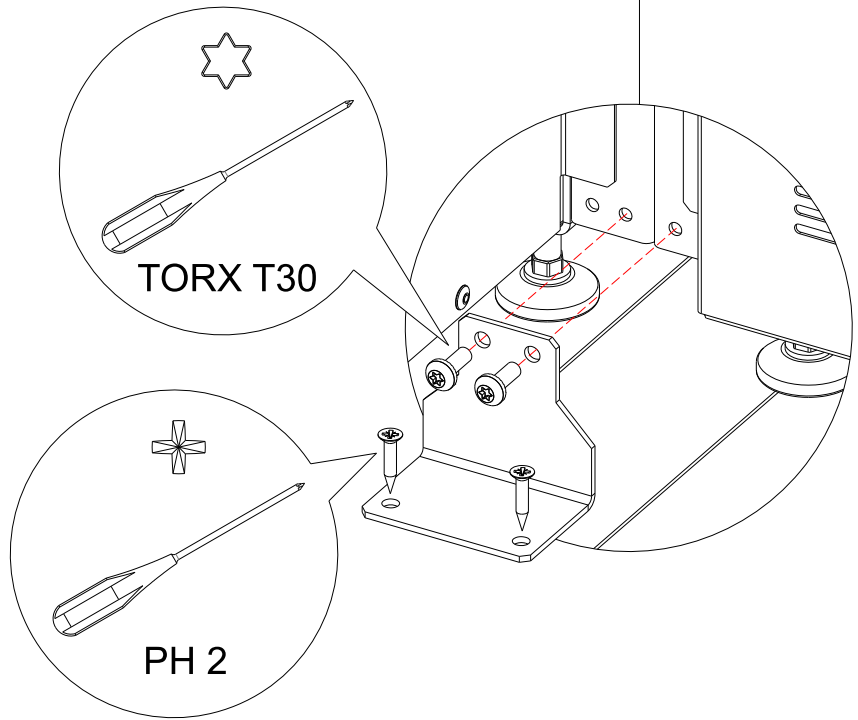
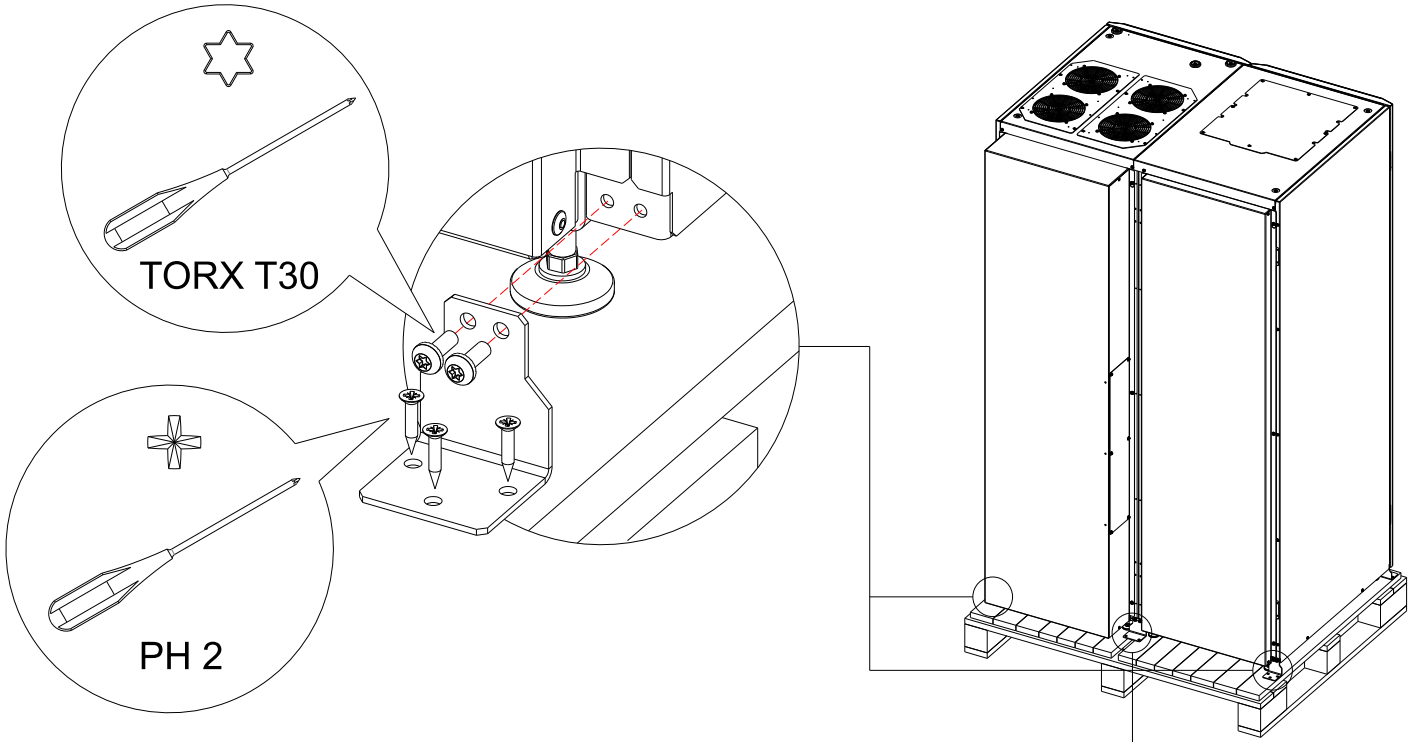



2. Remove the cardboard box and the plastic wrap.

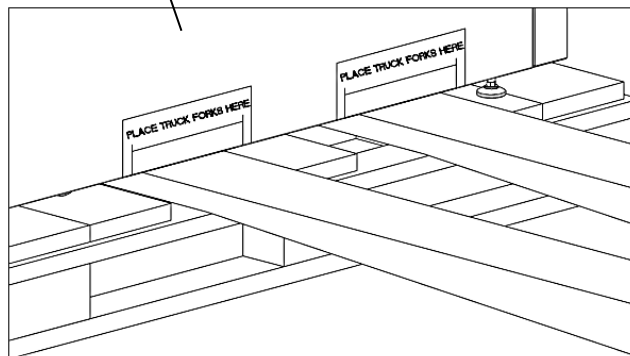
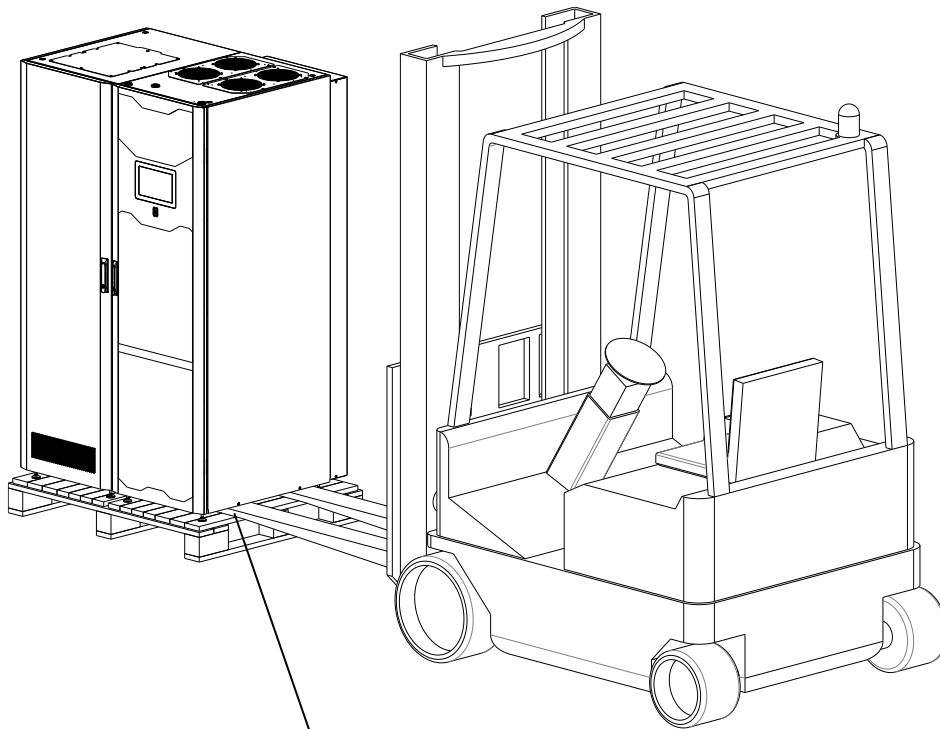


- 3.** Open the front door and remove the stabilizing bracket.
Note: the stabilizing brackets can be reused to fix the cabinet on the floor





4. : Insert the truck forks where indicated to unload the cabinet.



5. **ATTENTION!** For positioning and installation read the manuals inside the box.